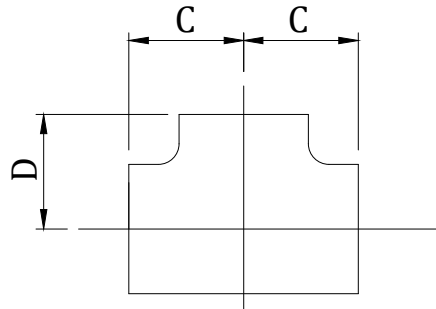


# WELDED FITTINGS



TEES

TEE SIZE	CENTRE/END	
	C	D
25X25X20	38.1	38.1
25X25X15	38.1	38.1
32X32X25	47.6	47.6
32X32X20	47.6	47.6
32X32X15	47.6	47.6
40X40X32	57.2	57.2
40X40X25	57.2	57.2
40X40X20	57.2	57.2
40X40X15	57.2	57.2
50X50X40	63.5	60.3
50X50X32	63.5	57.2
50X50X25	63.5	50.8
50X50X20	63.5	44.5
65X65X50	76.2	69.9
65X65X40	76.2	66.7
65X65X32	76.2	63.5
65X65X25	76.2	57.2
80X80X65	85.7	82.6
80X80X50	85.7	76.2
80X80X40	85.7	73.0
80X80X32	85.7	69.9
90X90X80	95.3	92.1
90X90X65	95.3	88.9
90X90X50	95.3	82.6
90X90X40	95.3	79.4
100X100X90	105	102
100X100X80	105	98.4
100X100X65	105	95.3
100X100X50	105	88.9

TEE SIZE	CENTRE/END	
	C	D
25X25X20	38.1	38.1
25X25X15	38.1	38.1
32X32X25	47.6	47.6
32X32X20	47.6	47.6
32X32X15	47.6	47.6
40X40X32	57.2	57.2
40X40X25	57.2	57.2
40X40X20	57.2	57.2
40X40X15	57.2	57.2
50X50X40	63.5	60.3
50X50X32	63.5	57.2
50X50X25	63.5	50.8
50X50X20	63.5	44.5
65X65X50	76.2	69.9
65X65X40	76.2	66.7
65X65X32	76.2	63.5
65X65X25	76.2	57.2
80X80X65	85.7	82.6
80X80X50	85.7	76.2
80X80X40	85.7	73.0
80X80X32	85.7	69.9
90X90X80	95.3	92.1
90X90X65	95.3	88.9
90X90X50	95.3	82.6
90X90X40	95.3	79.4
100X100X90	105	102
100X100X80	105	98.4
100X100X65	105	95.3
100X100X50	105	88.9

TEE SIZE	CENTRE/END	
	C	D
406X406X254	305	283
406X406X203	305	273
406X406X150	305	264
457X457X406	343	330
457X457X356	343	330
457X457X305	343	321
457X457X254	343	308
457X457X203	343	298
508X508X457	381	368
508X508X406	381	356
508X508X356	381	356
508X508X305	381	346
508X508X254	381	333
508X508X203	381	324
559X559X508	419	406
559X559X457	419	394
559X559X406	419	381
559X559X356	419	381
559X559X305	419	371
559X559X354	419	359
610X610X559	432	432
610X610X508	432	432
610X610X457	432	419
610X610X406	432	406
610X610X356	432	406
610X610X305	432	397
610X610X254	432	384

Standard dimensions as  
BS 1640 Part 3