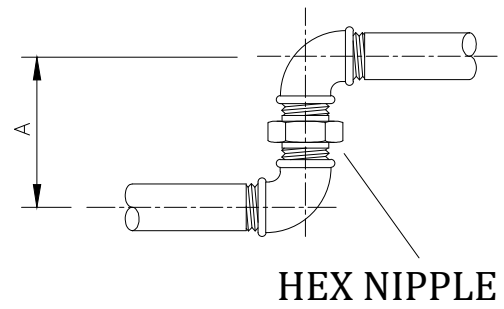
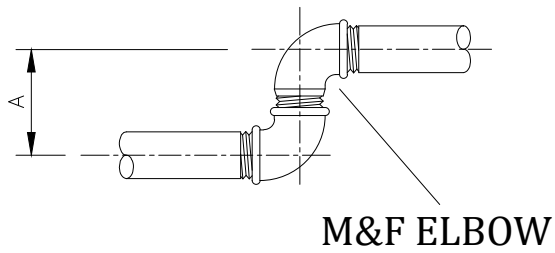
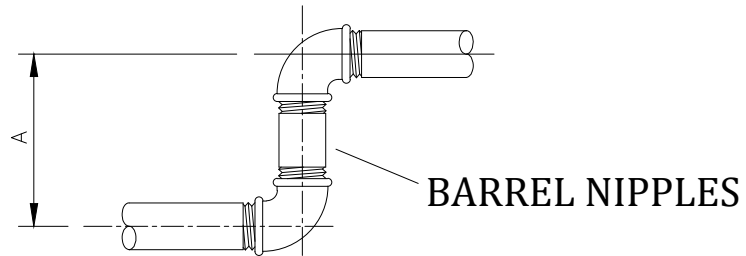


# SCREWED FITTINGS - MINIMUM DIMENSIONS



|     |     |     |     |     |     |     |     |
|-----|-----|-----|-----|-----|-----|-----|-----|
|     | 25  | 32  | 40  | 50  | 65  | 80  | 100 |
| BN  | 107 | 127 | 137 | 153 | 184 | 206 | 240 |
| M&F | 73  | 86  | 96  | 108 | 130 | 146 | 178 |
| HEX | 95  | 110 | 122 | 136 | 160 | 180 | 216 |