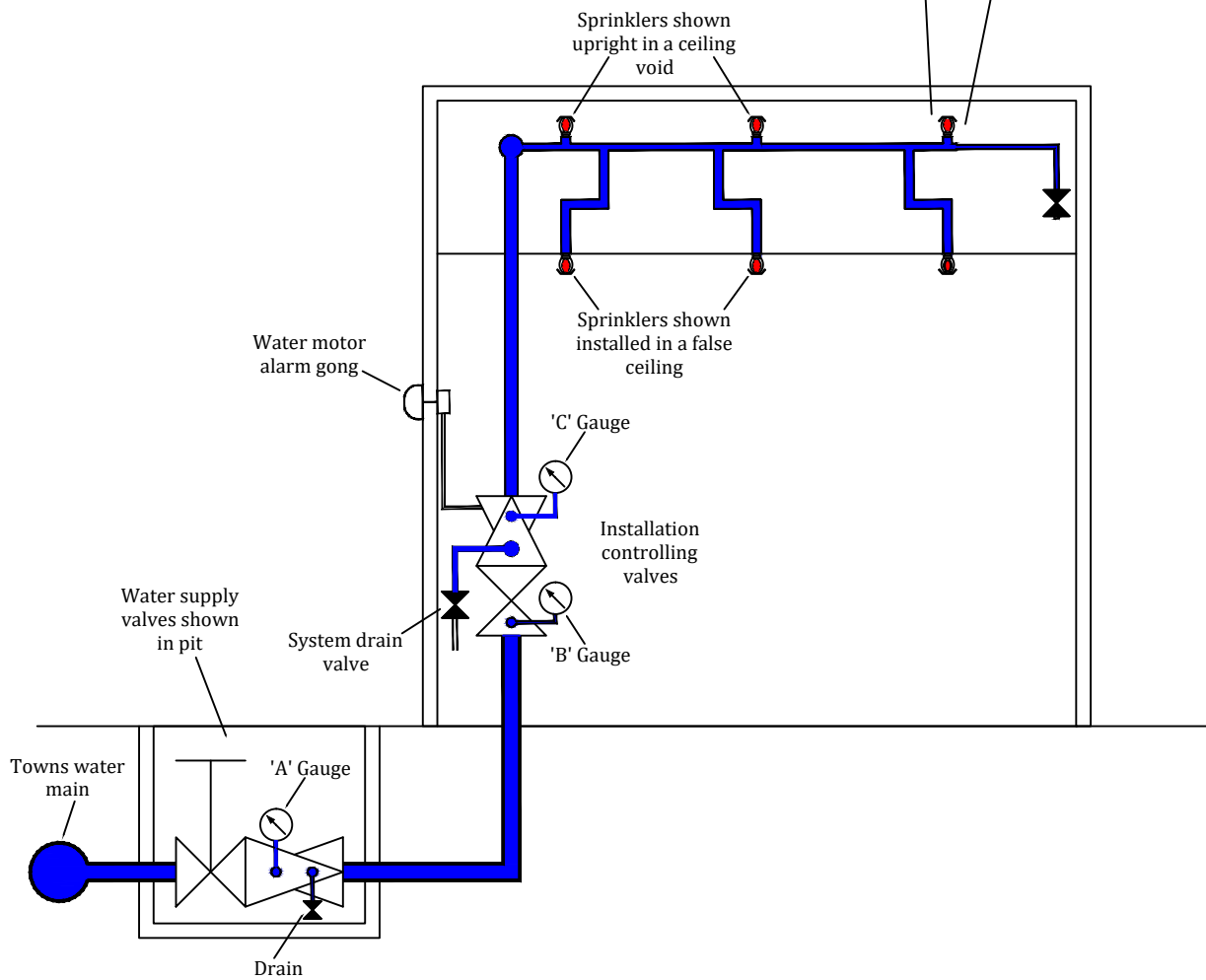
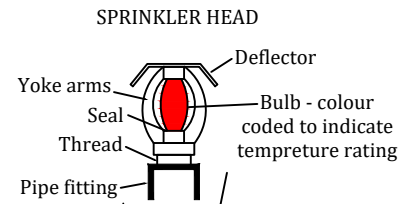


# TYPICAL TOWNS MAIN FED (WET) SPRINKLER SYSTEM

A wet type sprinkler system is the most common. The pipes are filled with water all of the time which is under pressure. The system operates immediately when a sprinkler operates.



LEGEND	
	Sprinkler
	Pressure gauge
	Manual stop valve (normally open)
	Manual stop valve (normally closed)
	Non-return (sluice or check) valve